

LR

LR

Network

Signal Tower

Signal Light

Revolving Warming Light

Cube Tower

Audibles

Hybrid Signaling Devices

LED Illumination

Options



Signal Tower
LR Series
Modular LED Signal Tower

- φ40mm LR4
- φ50mm LR5
- φ60mm LR6
- φ70mm LR7

- Standard Colors:
1-Tier model / Red (-R), Amber (-Y), Green (-G)
2-Tier model / Red-Amber (-RY), Red-Green (-RG), 3-Tier model / Red-Amber-Green (-RYG)
4-Tier model / Red-Amber-Green-Blue (-RYGB), 5-Tier model / Red-Amber-Green-Blue-White (-RYGBC)

IP65 (IP54 for LJ type only)
 RoHS
 UL
 CE
 Clear globe (LR4LR6 only)
 Multi color (LR6 only)
 FCC
 WD-Z2 Series Enabled

- Colors** Red, Amber, Green, Blue, White
- Globe** Polycarbonate resin, high shock resistance and heat resistance

Next generation signal tower series featuring ultra-bright LEDs, a modular design, and a wide-selection of options to take on the most challenging applications.

Re-designed lens and improved module construction delivering bright, even light for visibility from further distances. (2000mcd output)

Re-engineered, completely enclosed sound module, maintains substantial water and dust protection while producing loud, omni-directional sound. (LR5 DC12V: 80dB LR4 & LR5: 85dB, LR6: 88dB, LR7: 90dB at 1m)

A modular, "Twist and Lock", design to easily customize and field configure LED units and sound modules.

A sleek, smooth form factor and a rugged body construction for performance in harsh environments, carrying an IP65 protection rating.

Four mounting options: Direct, pole with L-bracket, pole with circular bracket, and pole with folding bracket (Off-white only).

Available in DC24V and AC100-240V (Off-white only).

Available in Off-white and Silver bodies.

Available with Clear lens (special order).

Specifications

LR Series Assembled Products / Common Specifications

Ambient Operating Temperature	-20°C - +50°C *
Ambient Operating Humidity	90% RH or less, no condensation
Storage Ambient Temperature	-30°C - +60°C
Storage Ambient Humidity	90% RH or less, no condensation
Mounting location	Indoors
Mounting direction	Upright
Protection Rating	IP65 (IEC 60529) / NEMA TYPE 4X, 13 * for LJ type only, IP54
Environmental Conditions	Upright
Insulation Resistance	1 MΩ or more at 500V DC between the live part and non-current carrying metallic part
Withstand Voltage	500V AC* for 1 minute, between the live part and non-current carrying metallic part. * 1500V AC for M2 type
Flashing Rate	60±2 /minute
Sound pressure	LR4 Typ.85dB LR5 Typ.85dB LR6 Typ.88dB LR7 p.90dB LR5 12V DC Typ.80dB With Sound Reduction: Approximately -10dB (can be switched using DIP switch)
Environmental Conditions	With buzzer sound "No.4 Sweep sound", at a distance of 1 m from the surface in all directions
Buzzer Sound	4 patterns *Switch using DIP switch No.1 Fast Intermitten No.2 Continuous No.3 Fast Alternating No.4 Sweep sound * By short-circuiting the buzzer line and flashing common line, you can emit a buzzer tone that turns on and off every 0.5 seconds.
Transistor	NPN/PNP (*NPN only for 100 - 240V AC type)
Conformity standards	<ul style="list-style-type: none"> UL 508, CSA-C22.2 No.14 RoHS Directive EN 50581 KC (KN 61000-6-4, KN 61000-6-2) *Except ABS and AS models EMC directives EN61000-6-4, EN61000-6-2 FCC Part 15 Subpart B Class A Low Voltage Directives IEC/EN60947-5-1, EN62471 *M2 type only (excluding LJ type)

External Contact Capacity

Is: Current Capacity, Vs: Withstand Voltage, IL: Leakage Current

Rated Load Voltage		[01] 12V DC	[02] 24V DC	[M2] 100 - 240V AC
LED Unit (per tier)	Signal Wire Current (Maximum) / Voltage	100mA / Power supply voltage	45mA / Power supply voltage	45mA / 24V DC
	Recommended Contact Capacity	Is ≥ 100mA Vs ≥ DC20V (*1)	Is ≥ 100mA Vs ≥ DC35V	Is ≥ 100mA Vs ≥ DC35V
Buzzer	Signal Wire Current (Maximum) / Voltage	250mA / Power supply voltage	250mA / Power supply voltage	250mA / 24V DC
	Recommended Contact Capacity	Is ≥ 300mA Vs ≥ DC20V (*1)	Is ≥ 300mA Vs ≥ DC35V	Is ≥ 300mA Vs ≥ DC35V
Power supply	Current Consumption (Maximum)	500mA (*2)	250mA (*2)	150mA (*2)
	Recommended Contact Capacity	Is ≥ 700mA Vs ≥ DC20V	Is ≥ 500mA Vs ≥ DC35V	Inrush Current Value or more
Inrush Current	Signal Wire	No LED (*1) No Buzzer (*1)	No LED No Buzzer (*3)	None
	Power Supply Wire	0.7A, 15ms or less	None (*4)	With Ambient Operating Temperature 25°C: 25A, 2.0ms or less (with cold start) With Ambient Operating Temperature 50°C/45°C: 50A, 2.0ms or less (with cold start) (*5)
Transistor Contact Leakage Current		IL ≤ 0.1 mA		

*1 When the power supply wire (Gray / WT: 9 Black) is not connected, inrush current of 0.7 amps flow through the signal line. Recommended Contact Capacity is: Is ≥ 700mA and Vs ≥ DC20V * 2... 5 LED tiers and buzzer operating *3... Signal Wire Current (maximum) or less *4... Sum Total of Signal Wire Current (maximum) or less *5... [W] Off-white (PC) model: When ambient operating temperature is 50°C

LED Units / Common Specifications

Luminous Color	Red Amber Green Blue White Multi color
Rated Voltage	24V DC
Rated Current	Typ. 0.04A/1W
Consumption / Rated Power Consumption	Maximum 0.045A/1.3W

Audible Units / Common Specifications

Rated Voltage	24V DC
Rated Current	Typ. 0.04A/1W
Consumption / Rated Power Consumption	Maximum 0.25A/1.3W



New Lineup

Clear-globe LED Unit

LR4-E-RZ

- 4 (φ 40) R (Red)
- 5 (φ 50) Y (Amber)
- 6 (φ 60) G (Green)
- B (Blue)



- Individual Unit
- Pre-assembled*
- * LR4, LR6 Only

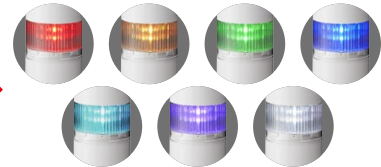
LR4 LR5 LR6

Clear globes for R,Y,G,B

Multi-color LED Unit

LR6-E-MZ

7 colors



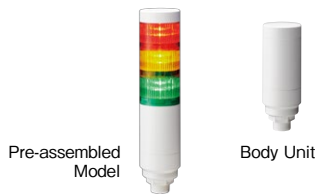
- LR6
- Individual Unit

It displays 7 colors in one unit.
(Red/Green/Blue/Amber/
Cyan/Purple/White)

By connecting (red, green, blue) wires, the colors light up.

Wire Color	Red	Red/ Green	Blue	Green	Blue/ Green	Red/ Blue	Red/ Green/ Blue
LED Color	Red	Amber	Blue	Green	Cyan	Purple	White

Direct Mount with M12 Connector



	Model	Tiers	Rated Voltage	Mounting/ Wiring	Buzzer	Body Color	LED Unit Color
Assembly Model	LR 6 - - 3	02	WC	N	W	-	RYG
Unit Model (Body Unit)	LR 6 - -	02	WC	N	W		

6	1 - 5	02	24V DC	B	W
φ60	Tiers	24V DC	Buzzer	Off-white	
			No Buzzer		

WC Direct Mount / M12 Connector

LED Color: R (Red)/Y (Amber)/ G (Green)/B (Blue) /C (White) (From top to bottom)

Direct Mount Installation

Direct Mount

Easy Wiring

The M12 connection type provides a convenient, single cable mating point.



Easy direct-mount installation

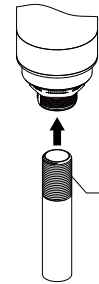
If one hole is placed in the mounting position, it can easily be attached. It can easily be secured with an M30 nut.

* The M12 Connector & Cable (SZ-120) is sold separately.

Installation Method 2

Pole Mount

1/2" NPT Support Bracket is designed to fit a 1/2 inch NPT threaded pipe.



LR5/LR7 Screwless Terminal Knock-out Mount

Dual mount base unit allows for direct or pole mounting



φ50 Body Unit



φ70 Body Unit

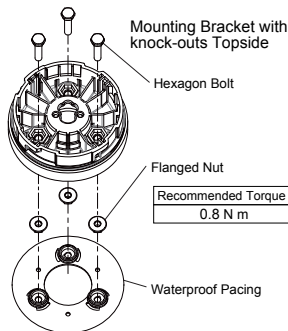
Screw and nut accessories included.

Accessory			
LR5 - KT	Hexagon Bolt (M3 x 20)	Hexagon Nut with Flange (M3)	3 pcs.
LR7 - KT	Hexagon Bolt (M4 x 20)	Hexagon Nut with Flange (M4)	3 pcs.

Installation Method 1

Direct Mount (Using accessories)

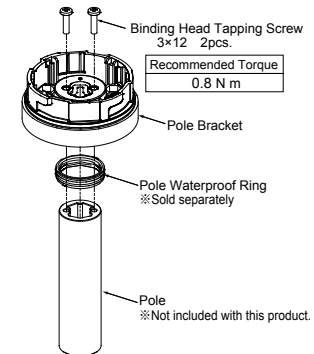
Mount on pole bracket by knocking out holes with the tapping screws included with the bracket.



Installation Method 2

Pole Mount (Not Using accessories)

Mount directly by knocking out holes in the bracket and securing with nuts and bolts.



*Please refer to the Complete Operation Manual for details of installation.

Network

Signal Tower

Signal Light

Revolving Warning Light

Cube Tower

Audibles

Hybrid Signaling Devices

LED Illumination

Options

Signal Tower

LR Series Pre-assembled Models

φ40mm
Model Code

(Ex.) **LR4-502WJBW-RYGBCZ**

Model ① ② ③ ④ ⑤ ⑥ ⑦

- ① Tiers
1 = 1 Tier
2 = 2 Tiers
3 = 3 Tiers
4 = 4 Tiers
5 = 5 Tiers
- ② Rated Voltage
02 = 24V DC
M2 = 100 - 240V AC *1
- ③ Mounting/Wiring
WJ = Direct Mount/Cable
LJ = Pole Mount with L-bracket/Cable
PJ = Pole Mount with Circular Bracket/Cable
QJ = Pole Mount with Folding Bracket/Cable *2
- ④ Flashing/Buzzer
B = With Flashing/Buzzer
N = No Flashing/Buzzer
- ⑤ Body Color
W = Off-white
U = Silver *3
- ⑥ LED Module Color
R = Red
Y = Amber
G = Green
B = Blue
C = White
- ⑦ Globe Type
Blank = Color Globe
Z = Clear Globe

*1 For WJ, LJ and PJ type only *2 For 24V DC and Off-white type only *3 For 24V DC type WJ, LJ and PJ type only

φ50mm
Model Code

(Ex.) **LR5-502WJBW-RYGBCZ**

Model ① ② ③ ④ ⑤ ⑥ ⑦

- ① Tiers
1 = 1 Tier
2 = 2 Tiers
3 = 3 Tiers
4 = 4 Tiers
5 = 5 Tiers
- ② Rated Voltage
01 = 12V DC
02 = 24V DC
- ③ Mounting/Wiring
WJ = Direct Mount/Cable
LJ = Pole Mount with L-bracket/Cable
PJ = Pole Mount with Circular Bracket/Cable
- ④ Flashing/Buzzer
B = With Flashing/Buzzer
N = No Flashing/Buzzer
- ⑤ Body Color
W = Off-white
- ⑥ LED Module Color
R = Red
Y = Amber
G = Green
B = Blue
C = White
- ⑦ Globe Type
Blank = Color Globe
Z = Clear Globe

φ60mm
Model Code

(Ex.) **LR6-502WJBW-RYGBCZ**

Model ① ② ③ ④ ⑤ ⑥ ⑦

- ① Tiers
1 = 1 Tier
2 = 2 Tiers
3 = 3 Tiers
4 = 4 Tiers
5 = 5 Tiers
- ② Rated Voltage
02 = 24V DC
M2 = 100 - 240V AC *1
- ③ Mounting/Wiring
WJ = Direct Mount/Cable
LJ = Pole Mount with L-bracket/Cable
PJ = Pole Mount with Circular Bracket/Cable
QJ = Pole Mount with Folding Bracket/Cable *2
WC = Direct Mount/M12 Connector *2
- ④ Flashing/Buzzer
B = With Flashing/Buzzer
N = No Flashing/Buzzer
- ⑤ Body Color
W = Off-white
U = Silver *3
- ⑥ LED Module Color
R = Red
Y = Amber
G = Green
B = Blue
C = White
M = Multi Color
- ⑦ Globe Type
Blank = Color Globe
Z = Clear Globe






*1 For WJ, LJ and PJ type only *2 For 24V DC and Off-white type only *3 For 24V DC type WJ, LJ and PJ type only


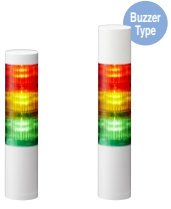
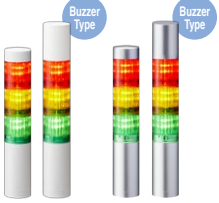

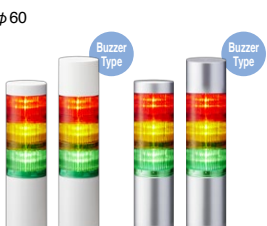

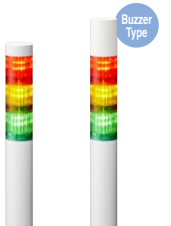

φ70mm
Model Code

(Ex.) **LR7-502WJBW-RYGBC**

Model ① ② ③ ④ ⑤ ⑥

- ① Tiers
1 = 1 Tier
2 = 2 Tiers
3 = 3 Tiers
4 = 4 Tiers
5 = 5 Tiers
- ② Rated Voltage
02 = 24V DC
- ③ Mounting/Wiring
WJ = Direct Mount/Cable
- ④ Flashing/Buzzer
B = With Flashing/Buzzer
N = No Flashing/Buzzer
- ⑤ Body Color
W = Off-white
- ⑥ LED Module Color
R = Red
Y = Amber
G = Green
B = Blue
C = White

Mounting Type	Rated Voltage	Size	Flash/Buzzer	Tiers	Model	Power Consumption	Mass
 Pole Mount with Folding Bracket	24V DC	φ 40 	-	1	LR4-102QJNW	1.0W	0.455kg
				2	LR4-202QJNW	2.0W	0.490kg
				3	LR4-302QJNW	3.0W	0.525kg
				4	LR4-402QJNW	4.0W	0.560kg
				5	LR4-502QJNW	5.0W	0.595kg
		φ 60 	-	1	LR4-102QJBW	2.0W	0.490kg
				2	LR4-202QJBW	3.0W	0.525kg
				3	LR4-302QJBW	4.0W	0.560kg
				4	LR4-402QJBW	5.0W	0.595kg
				5	LR4-502QJBW	6.0W	0.630kg
		φ 40 	-	1	LR6-102QJNW	1.0W	0.520kg
				2	LR6-202QJNW	2.0W	0.580kg
				3	LR6-302QJNW	3.0W	0.640kg
				4	LR6-402QJNW	4.0W	0.700kg
				5	LR6-502QJNW	5.0W	0.760kg
		φ 60 	-	1	LR6-102QJBW	2.0W	0.580kg
				2	LR6-202QJBW	3.0W	0.640kg
				3	LR6-302QJBW	4.0W	0.700kg
				4	LR6-402QJBW	5.0W	0.760kg
				5	LR6-502QJBW	6.0W	0.820kg

Mounting Type	Rated Voltage	Size	Flash/Buzzer	Tiers	Model	Power Consumption	Mass
 <p>Direct Mount</p>	12V DC	ϕ 50 	-	1	LR5-101WJNW	1.0W	0.240kg
				2	LR5-201WJNW	2.0W	0.280kg
				3	LR5-301WJNW	3.0W	0.320kg
				4	LR5-401WJNW	4.0W	0.360kg
				5	LR5-501WJNW	5.0W	0.400kg
			O	1	LR5-101WJBW	2.1W	0.290kg
				2	LR5-201WJBW	3.1W	0.330kg
				3	LR5-301WJBW	4.1W	0.370kg
				4	LR5-401WJBW	5.1W	0.410kg
				5	LR5-501WJBW	6.1W	0.450kg
	24V DC	ϕ 40 	-	1	LR4-102WJNW[U]	1.0W	0.205kg/0.355kg
				2	LR4-202WJNW[U]	2.0W	0.240kg/0.390kg
				3	LR4-402WJNW[U]	4.0W	0.310kg/0.460kg
				4	LR4-502WJNW[U]	5.0W	0.345kg/0.495kg
				5	LR4-502WJNBW[U]	6.0W	0.380kg/0.530kg
		O	1	LR4-102WJBW[U]	2.0W	0.240kg/0.390kg	
			2	LR4-202WJBW[U]	3.0W	0.275kg/0.425kg	
			3	LR4-302WJBW[U]	4.0W	0.310kg/0.460kg	
			4	LR4-402WJBW[U]	5.0W	0.345kg/0.495kg	
			5	LR4-502WJBW[U]	6.0W	0.380kg/0.530kg	
	ϕ 50 	-	1	LR5-102WJNW	1.0W	0.240kg	
			2	LR5-202WJNW	2.0W	0.280kg	
			3	LR5-302WJNW	3.0W	0.360kg	
			4	LR5-402WJNW	4.0W	0.360kg	
5			LR5-502WJNW	5.0W	0.400kg		
O	1	LR5-102WJBW	2.0W	0.290kg			
	2	LR5-202WJBW	3.0W	0.330kg			
	3	LR5-302WJBW	4.0W	0.370kg			
	4	LR5-402WJBW	5.0W	0.410kg			
	5	LR5-502WJBW	6.0W	0.450kg			
ϕ 60 	-	1	LR6-102WJNW[U]	1.0W	0.280kg/0.410kg		
		2	LR6-202WJNW[U]	2.0W	0.340kg/0.470kg		
		3	LR6-302WJNW[U]	3.0W	0.400kg/0.530kg		
		4	LR6-402WJNW[U]	4.0W	0.460kg/0.590kg		
		5	LR6-502WJNW[U]	5.0W	0.520kg/0.650kg		
	O	1	LR6-102WJBW[U]	2.0W	0.340kg/0.470kg		
		2	LR6-202WJBW[U]	3.0W	0.400kg/0.530kg		
		3	LR6-302WJBW[U]	4.0W	0.460kg/0.590kg		
		4	LR6-402WJBW[U]	5.0W	0.520kg/0.650kg		
		5	LR6-502WJBW[U]	6.0W	0.580kg/0.710kg		
ϕ 70 	-	1	LR7-102WJNW	1.0W	0.305kg		
		2	LR7-202WJNW	2.0W	0.370kg		
		3	LR7-302WJNW	3.0W	0.435kg		
		4	LR7-402WJNW	4.0W	0.500kg		
		5	LR7-502WJNW	5.0W	0.565kg		
	O	1	LR7-102WJBW	2.0W	0.375kg		
		2	LR7-202WJBW	3.0W	0.440kg		
		3	LR7-302WJBW	4.0W	0.505kg		
		4	LR7-402WJBW	5.0W	0.570kg		
		5	LR7-502WJBW	6.0W	0.635kg		
100 - 240V AC	ϕ 40 	-	1	LR4-1M2WJNW	1.5W	0.285kg	
			2	LR4-2M2WJNW	3.0W	0.320kg	
			3	LR4-3M2WJNW	4.5W	0.355kg	
			4	LR4-4M2WJNW	6.0W	0.390kg	
			5	LR4-5M2WJNW	7.5W	0.425kg	
			O	1	LR4-1M2WJBW	3.0W	0.320kg
				2	LR4-2M2WJBW	4.5W	0.355kg
	3	LR4-3M2WJBW		6.0W	0.390kg		
	4	LR4-4M2WJBW		7.5W	0.425kg		
	5	LR4-5M2WJBW		9.0W	0.460kg		
	ϕ 60 	-	1	LR6-1M2WJNW	1.5W	0.380kg	
			2	LR6-2M2WJNW	3.0W	0.440kg	
			3	LR6-3M2WJNW	4.5W	0.500kg	
			4	LR6-4M2WJNW	6.0W	0.560kg	
5			LR6-5M2WJNW	7.5W	0.620kg		
O			1	LR6-1M2WJBW	3.0W	0.440kg	
			2	LR6-2M2WJBW	4.5W	0.500kg	
	3	LR6-3M2WJBW	6.0W	0.560kg			
	4	LR6-4M2WJBW	7.5W	0.620kg			
	5	LR6-5M2WJBW	9.0W	0.680kg			

Network

Signal Tower

Signal Light

Revolving Warning Light

Cube Tower

Audibles

Hybrid Signaling Devices

LED Illumination

Options




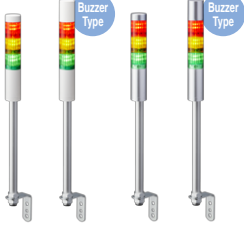

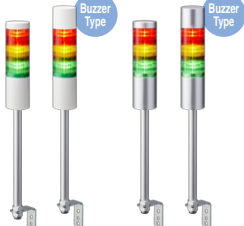




Signal Tower

LR Series Pre-assembled Models

Mounting Type	Rated Voltage	Size	Flash/Buzzer	Tiers	Model	Power Consumption	Mass		
Network	12V DC		-	1	LR5-101PJNW	1.0W	0.420kg		
				2	LR5-201PJNW	2.0W	0.460kg		
				3	LR5-301PJNW	3.0W	0.500kg		
				4	LR5-401PJNW	4.0W	0.540kg		
				5	LR5-501PJNW	5.0W	0.580kg		
			O	1	LR5-101PJBW	2.1W	0.470kg		
				2	LR5-201PJBW	3.1W	0.510kg		
				3	LR5-301PJBW	4.4W	0.550kg		
				4	LR5-401PJBW	5.1W	0.590kg		
				5	LR5-501PJBW	6.1W	0.630kg		
Signal Tower	24V DC		-	1	LR4-102PJNW[U]	1.0W	0.395kg/0.545kg		
				2	LR4-202PJNW[U]	2.0W	0.430kg/0.580kg		
				3	LR4-302PJNW[U]	3.0W	0.465kg/0.615kg		
				4	LR4-402PJNW[U]	4.0W	0.500kg/0.650kg		
				5	LR4-502PJNW[U]	5.0W	0.535kg/0.685kg		
			O	1	LR4-102PJBW[U]	2.0W	0.430kg/0.580kg		
				2	LR4-202PJBW[U]	3.0W	0.465kg/0.615kg		
				3	LR4-302PJBW[U]	4.0W	0.500kg/0.650kg		
				4	LR4-402PJBW[U]	5.0W	0.535kg/0.685kg		
				5	LR4-502PJBW[U]	6.0W	0.570kg/0.720kg		
		Signal Light	24V DC		-	1	LR5-102PJNW	1.0W	0.420kg
						2	LR5-202PJNW	2.0W	0.460kg
						3	LR5-302PJNW	3.0W	0.500kg
						4	LR5-402PJNW	4.0W	0.540kg
						5	LR5-502PJNW	5.0W	0.580kg
O	1				LR5-102PJBW	2.0W	0.470kg		
	2				LR5-202PJBW	3.0W	0.510kg		
	3				LR5-302PJBW	4.0W	0.550kg		
	4				LR5-402PJBW	5.0W	0.590kg		
	5				LR5-502PJBW	6.0W	0.630kg		
Revolving Warning Light	24V DC		-	1	LR6-102PJNW[U]	1.0W	0.460kg/0.590kg		
				2	LR6-202PJNW[U]	2.0W	0.520kg/0.650kg		
				3	LR6-302PJNW[U]	3.0W	0.580kg/0.710kg		
				4	LR6-402PJNW[U]	4.0W	0.640kg/0.770kg		
				5	LR6-502PJNW[U]	5.0W	0.700kg/0.830kg		
			O	1	LR6-102PJBW[U]	2.0W	0.520kg/0.650kg		
				2	LR6-202PJBW[U]	3.0W	0.580kg/0.710kg		
				3	LR6-302PJBW[U]	4.0W	0.640kg/0.770kg		
				4	LR6-402PJBW[U]	5.0W	0.700kg/0.830kg		
				5	LR6-502PJBW[U]	6.0W	0.760kg/0.890kg		
Cube Tower	24V DC		-	1	LR6-102PJNW	1.0W	0.460kg/0.590kg		
				2	LR6-202PJNW	2.0W	0.520kg/0.650kg		
				3	LR6-302PJNW	3.0W	0.580kg/0.710kg		
				4	LR6-402PJNW	4.0W	0.640kg/0.770kg		
				5	LR6-502PJNW	5.0W	0.700kg/0.830kg		
			O	1	LR6-102PJBW	2.0W	0.520kg/0.650kg		
				2	LR6-202PJBW	3.0W	0.580kg/0.710kg		
				3	LR6-302PJBW	4.0W	0.640kg/0.770kg		
				4	LR6-402PJBW	5.0W	0.700kg/0.830kg		
				5	LR6-502PJBW	6.0W	0.760kg/0.890kg		
Audibles	100 - 240V AC		-	1	LR4-1M2PJNW	1.5W	0.475kg		
				2	LR4-2M2PJNW	3.0W	0.510kg		
				3	LR4-3M2PJNW	4.5W	0.545kg		
				4	LR4-4M2PJNW	6.0W	0.580kg		
				5	LR4-5M2PJNW	7.5W	0.615kg		
			O	1	LR4-1M2PJBW	3.0W	0.510kg		
				2	LR4-2M2PJBW	4.5W	0.545kg		
				3	LR4-3M2PJBW	6.0W	0.580kg		
				4	LR4-4M2PJBW	7.5W	0.615kg		
				5	LR4-5M2PJBW	9.0W	0.650kg		
Hybrid Signaling Devices	100 - 240V AC		-	1	LR6-1M2PJNW	1.5W	0.560kg		
				2	LR6-2M2PJNW	3.0W	0.620kg		
				3	LR6-3M2PJNW	4.5W	0.680kg		
				4	LR6-4M2PJNW	6.0W	0.740kg		
				5	LR6-5M2PJNW	7.5W	0.800kg		
			O	1	LR6-1M2PJBW	3.0W	0.620kg		
				2	LR6-2M2PJBW	4.5W	0.680kg		
				3	LR6-3M2PJBW	6.0W	0.740kg		
				4	LR6-4M2PJBW	7.5W	0.800kg		
				5	LR6-5M2PJBW	9.0W	0.860kg		
LED Illumination	100 - 240V AC		-	1	LR6-1M2PJNW	1.5W	0.560kg		
				2	LR6-2M2PJNW	3.0W	0.620kg		
				3	LR6-3M2PJNW	4.5W	0.680kg		
				4	LR6-4M2PJNW	6.0W	0.740kg		
				5	LR6-5M2PJNW	7.5W	0.800kg		
			O	1	LR6-1M2PJBW	3.0W	0.620kg		
				2	LR6-2M2PJBW	4.5W	0.680kg		
				3	LR6-3M2PJBW	6.0W	0.740kg		
				4	LR6-4M2PJBW	7.5W	0.800kg		
				5	LR6-5M2PJBW	9.0W	0.860kg		
Options	100 - 240V AC		-	1	LR6-1M2PJNW	1.5W	0.560kg		
				2	LR6-2M2PJNW	3.0W	0.620kg		
				3	LR6-3M2PJNW	4.5W	0.680kg		
				4	LR6-4M2PJNW	6.0W	0.740kg		
				5	LR6-5M2PJNW	7.5W	0.800kg		
			O	1	LR6-1M2PJBW	3.0W	0.620kg		
				2	LR6-2M2PJBW	4.5W	0.680kg		
				3	LR6-3M2PJBW	6.0W	0.740kg		
				4	LR6-4M2PJBW	7.5W	0.800kg		
				5	LR6-5M2PJBW	9.0W	0.860kg		



Pole Mount with Circular Bracket

Mounting Type	Rated Voltage	Size	Flash/Buzzer	Tiers	Model	Power Consumption	Mass	
 <p>Pole Mount with L-bracket</p>	12V DC	ϕ 50 	—	1	LR5-101LJNW	1.0W	0.530kg	
				2	LR5-201LJNW	2.0W	0.570kg	
				3	LR5-301LJNW	3.0W	0.610kg	
				4	LR5-401LJNW	4.0W	0.650kg	
				5	LR5-501LJNW	5.0W	0.690kg	
			O	1	LR5-101LJBW	2.1W	0.580kg	
				2	LR5-201LJBW	3.1W	0.620kg	
				3	LR5-301LJBW	4.1W	0.660kg	
				4	LR5-401LJBW	5.1W	0.700kg	
				5	LR5-501LJBW	6.1W	0.740kg	
	 <p>Pole Mount with L-bracket</p>	24V DC	ϕ 40 	—	1	LR4-102LJNW[U]	1.0W	0.495kg/0.645kg
					2	LR4-202LJNW[U]	2.0W	0.530kg/0.680kg
					3	LR4-302LJNW[U]	3.0W	0.565kg/0.715kg
					4	LR4-402LJNW[U]	4.0W	0.600kg/0.750kg
					5	LR4-502LJNW[U]	5.0W	0.635kg/0.785kg
				O	1	LR4-102LJBW[U]	2.0W	0.530kg/0.680kg
					2	LR4-202LJBW[U]	3.0W	0.565kg/0.715kg
					3	LR4-302LJBW[U]	4.0W	0.600kg/0.750kg
					4	LR4-402LJBW[U]	5.0W	0.635kg/0.785kg
					5	LR4-502LJBW[U]	6.0W	0.670kg/0.820kg
ϕ 50 		—	1	LR5-102LJNW	1.0W	0.530kg		
			2	LR5-202LJNW	2.0W	0.570kg		
			3	LR5-302LJNW	3.0W	0.610kg		
			4	LR5-402LJNW	4.0W	0.650kg		
			5	LR5-502LJNW	5.0W	0.690kg		
		O	1	LR5-102LJBW	2.0W	0.580kg		
			2	LR5-202LJBW	3.0W	0.620kg		
			3	LR5-302LJBW	4.0W	0.660kg		
			4	LR5-402LJBW	5.0W	0.700kg		
			5	LR5-502LJBW	6.0W	0.740kg		
ϕ 60 	—	1	LR6-102LJNW[U]	1.0W	0.560kg/0.700kg			
		2	LR6-202LJNW[U]	2.0W	0.620kg/0.760kg			
		3	LR6-302LJNW[U]	3.0W	0.680kg/0.820kg			
		4	LR6-402LJNW[U]	4.0W	0.740kg/0.880kg			
		5	LR6-502LJNW[U]	5.0W	0.800kg/0.940kg			
	O	1	LR6-102LJBW[U]	2.0W	0.620kg/0.760kg			
		2	LR6-202LJBW[U]	3.0W	0.680kg/0.820kg			
		3	LR6-302LJBW[U]	4.0W	0.740kg/0.880kg			
		4	LR6-402LJBW[U]	5.0W	0.800kg/0.940kg			
		5	LR6-502LJBW[U]	6.0W	0.860kg/1.000kg			
ϕ 40 	—	1	LR4-1M2LJNW	1.5W	0.575kg			
		2	LR4-2M2LJNW	3.0W	0.610kg			
		3	LR4-3M2LJNW	4.5W	0.645kg			
		4	LR4-4M2LJNW	6.0W	0.680kg			
		5	LR4-5M2LJNW	7.5W	0.715kg			
	O	1	LR4-1M2LJBW	3.0W	0.610kg			
		2	LR4-2M2LJBW	4.5W	0.645kg			
		3	LR4-3M2LJBW	6.0W	0.680kg			
		4	LR4-4M2LJBW	7.5W	0.715kg			
		5	LR4-5M2LJBW	9.0W	0.750kg			
ϕ 60 	—	1	LR6-1M2LJNW	1.5W	0.660kg			
		2	LR6-2M2LJNW	3.0W	0.720kg			
		3	LR6-3M2LJNW	4.5W	0.780kg			
		4	LR6-4M2LJNW	6.0W	0.840kg			
		5	LR6-5M2LJNW	7.5W	0.900kg			
	O	1	LR6-1M2LJBW	3.0W	0.720kg			
		2	LR6-2M2LJBW	4.5W	0.780kg			
		3	LR6-3M2LJBW	6.0W	0.840kg			
		4	LR6-4M2LJBW	7.5W	0.900kg			
		5	LR6-5M2LJBW	9.0W	0.960kg			
 <p>Direct Mount With M12 Connector</p>	24V DC	ϕ 60 	—	3	LR6-302WCNW	3.0W	0.350kg	

* Not suitable for KC (KN 61000-6-4, KN 61000-6-2) and Low Voltage Directive (TEC / EN 60947-5-1, EN 62471).

Network
 Signal Tower
 Signal Light
 Revolving Warning Light
 Cube Tower
 Audibles
 Hybrid Signaling Devices
 LED Illumination
 Options

Signal Tower

LR Series Modular Models

Select a Audible Alarm Unit (for Flashing / Audible Alarm function)



Size	Color	Model
ϕ 40		LR4-B□
ϕ 50		LR5-B□
ϕ 60		LR6-B□
ϕ 70		LR7-B□

□•••W: Off-white U: Silver K: Black

Select an LED Unit



Size	Color	Model
ϕ 40		LR4-E-R/Y/G/B/C
		LR4-E-RZ/YZ/GZ/BZ CLEAR
ϕ 50		LR5-E-R/Y/G/B/C
		LR4-E-RZ/YZ/GZ/BZ CLEAR
ϕ 60		LR6-E-R/Y/G/B/C
		LR6-E-RZ/YZ/GZ/BZ CLEAR
ϕ 70		LR7-E-R/Y/G/B/C
ϕ 60		LR6-E-MZ Multi-color

Select a Body Unit

Mounting Type	Rated Voltage	Size	Model
 Direct Mount/Cable	12V DC	ϕ 50	LR5-01WJNW
		ϕ 40	LR4-02WJNW[U]
	24V DC	ϕ 50	LR5-02WJNW
		ϕ 60	LR6-02WJNW[U]
		ϕ 70	LR7-02WJNW
		ϕ 40	LR4-M2WJNW
100 - 240V AC	ϕ 60	LR6-M2WJNW	
	24V DC	ϕ 50	LR5-02WTNW[U][K]
ϕ 70		LR7-02WTNW[U][K]	
 Knock-out Mount/Screwless Terminal	24V DC	ϕ 50	LR5-02KTNW[U][K]
		ϕ 70	LR7-02KTNW[U][K]
 Direct Mount/M12 Connector	24V DC	ϕ 60	LR6-02WCNW

Body Unit Model Code

(Ex.) **LR6-02WJNW**



- ① Size
4 = φ40
5 = φ50
6 = φ60
7 = φ70
 - ② Rated Voltage
01 = 12V DC*1
02 = 24V DC
M2 = 100 - 240V AC *2
 - ③ Mounting/Wiring
WJ = Direct Mount/Cable
WT = Direct Mount/Terminal *3
KT = Knock-outs Mount/Terminal *3
WC = Direct Mount/M12 Connector *4
LJ = Pole Mount with L-bracket/Cable *5
PJ = Pole Mount with Circular Bracket/Cable *5
QJ = Pole Mount with Folding Bracket/Cable *6
 - ④ Flashing/Buzzer
N = No Flashing/Buzzer
 - ⑤ Body Color
W = Off-white
U = Silver
K = Black*7
- *1 For LR5 models only
*2 For WJ, LJ and PJ mounting with LR4 and LR6 models
*3 For LR5, LR7 DC24V models only
*4 For LR6 DC24V models only
*5 For LR4, LR5 and LR6 models
*6 With LR4 and LR6 DC24V Off-white models only
*7 For LR5, LR7 models only

3 Easy Steps

1 Remove the headcover to setup the body unit



2 Attach from bottom to top, one LED unit at a time to the body unit






3 Replace the headcover, or attach the audible unit



See the Movie!!

Scan the QR code to see how easy the LR is to configure.



Mounting Type	Rated Voltage	Size	Model
 Pole Mount with Circular Bracket/Cable	12V DC	φ50	LR5-01PJNW
	24V DC	φ40	LR4-02PJNW[U]
		φ50	LR5-02PJNW
	100 - 240V AC	φ60	LR6-02PJNW[U]
φ40		LR4-M2PJNW	
 Pole Mount with L-bracket/Cable	12V DC	φ50	LR5-01LJNW
	24V DC	φ40	LR4-02LJNW[U]
		φ50	LR5-02LJNW
		φ60	LR6-02LJNW[U]
	100 - 240V AC	φ40	LR4-M2LJNW
		φ60	LR6-M2LJNW
 Pole Mount with Folding Bracket/Cable	24V DC	φ40	LR4-02QJNW
		φ60	LR6-02QJNW

Removable Screwless Terminal



A new removable terminal for easier wiring.



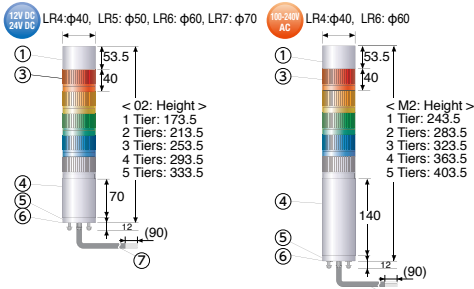
The terminal can be pulled out



- Network
- Signal Tower
- Signal Light
- Revolving Warning Light
- Cube Tower
- Audibles
- Hybrid Signaling Devices
- LED Illumination
- Options

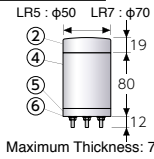
Outer Dimensional Drawing (Unit: mm)

Mount A [WJ] Direct Mount/Cable (01: 12V DC / 02: 24V DC) (M2: 100-240V AC)

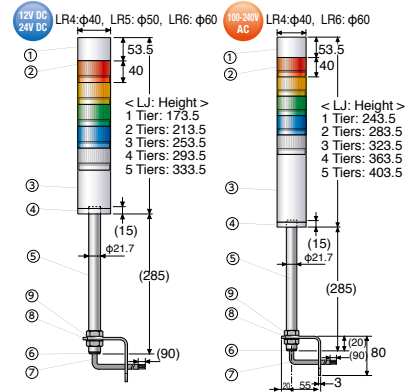


No.	Description	Material
1	Buzzer Unit	PC
2	Head Cover	PC
3	LED Unit	Globe: PC
4	Body	PC
5	Direct Mount Bracket	PC
6	Waterproof Packing	Silicon Rubber
7	Cable	PVC

Mount A [WT] Direct Mount/ Screwless Terminal (Body Unit)

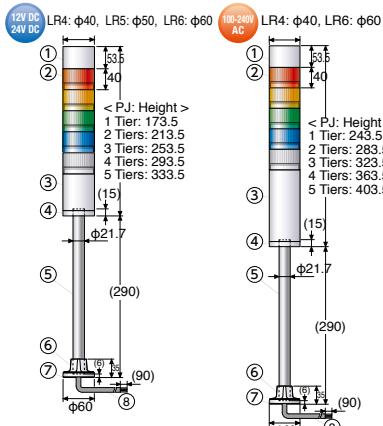


Mount B [LJ] Pole Mount with L-bracket & Cable (01: 12V DC / 02: 24V DC) (M2: 100-240V AC)



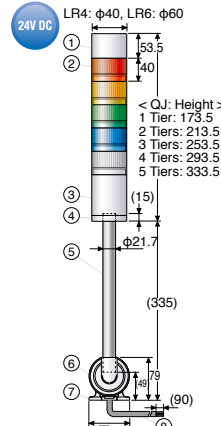
No.	Description	Material
1	Buzzer Unit	PC
2	LED Unit	Globe: PC
3	Body	PC
4	Pole Bracket	PC
5	Pole	AL
6	Rubber Bushing	EPR Rubber
7	Cable	PVC
8	L-bracket	Steel
9	Hexagon Nut M22	SUM

Mount A [PJ] Pole Mount with/Circular Bracket & Cable (01: 12V DC / 02: 24V DC) (M2: 100-240V AC)



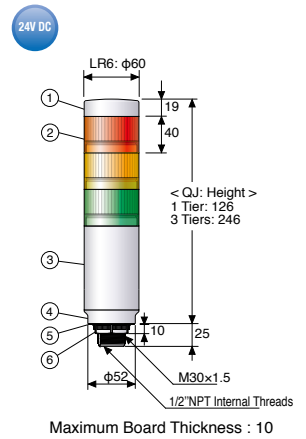
No.	Description	Material
1	Buzzer Unit	PC
2	LED Unit	Globe: PC
3	Body	PC
4	Pole Bracket	PC
5	Pole	AL
6	Circular Bracket	PC
7	Waterproof Packing	Silicon Rubber
8	Cable	PVC

Mount C [QJ] Pole Mount with/Folding Bracket & Cable (02: 24V DC)



No.	Description	Material
1	Buzzer Unit	PC
2	LED Unit	Globe: PC
3	Body	PC
4	Pole Bracket	PC
5	Pole	AL
6	Folding Bracket	PC
7	Waterproof Packing	CR
8	Cable	PVC

Mount D [WC] Direct Mount with M12 Connector (02: 24V DC)



No.	Description	Material
1	Head Cover	PC
2	LED Unit	Globe: PC
3	Body	PC
4	Direct Mount Bracket	PC
5	Waterproof Packing (t=1)	Silicone Rubber
6	M30 Nut	PC

Mounting Dimensions (Unit: mm)

Mount A Mounting Diagram [WJ] / [PJ] / [WT] / [KT]

Mounting Holes x3	Nut/Screw	(*) [KT] Direct Mount when using accessory)
LR4/5-WJ	φ4 M3	LR4/5-WJ φ30
LR5-WT/KT*		LR5-WT/KT* φ30
LR4/5/PJ		LR4/5/PJ φ40
LR6/7-WJ	φ5 M4	LR6/7-WJ φ40
LR7-WT/KT*		LR7-WT/KT* φ40

Mount B Mounting Diagram [LJ]

- Make holes for the mounting and wire-distribution. Refer to the suitable attachment or mounting dimension figure for the model. (Select among the two mounting options for the [KT] model.)
- Run wiring through the mounting hole.
- Secure the product with the bolts, nuts and screws. Required nuts and bolts for [LJ] are not included.

Mount C Mounting Diagram [QJ]

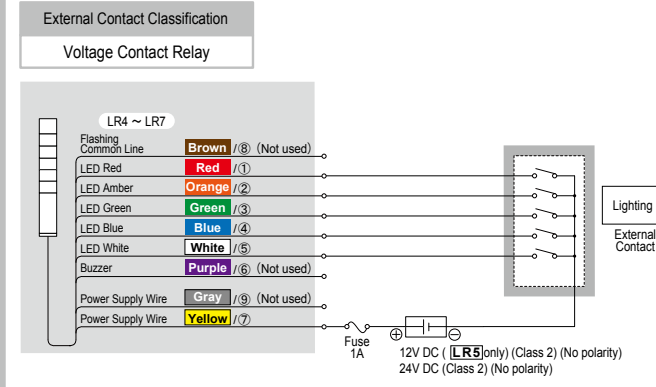
Mount D Mounting Dimensional Drawing (M30x1.5 Installation)

Wiring Diagrams

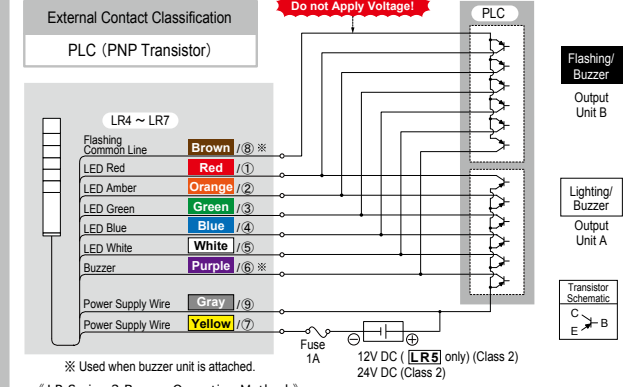
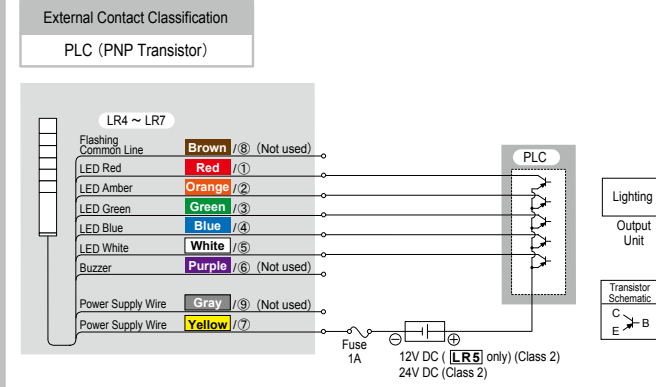
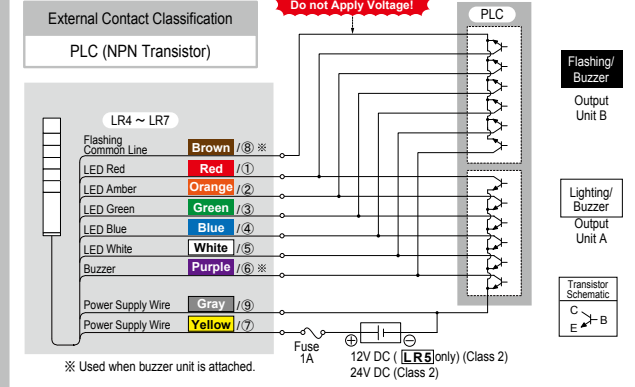
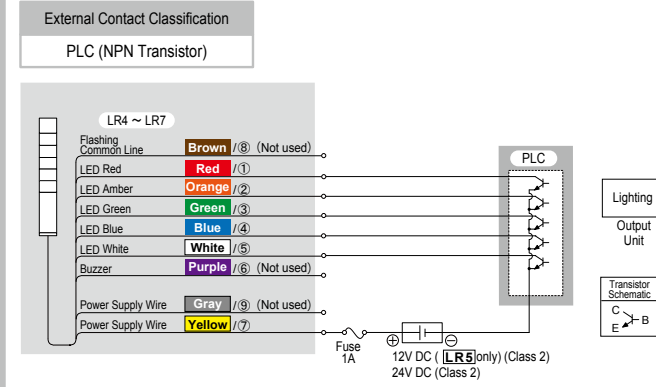
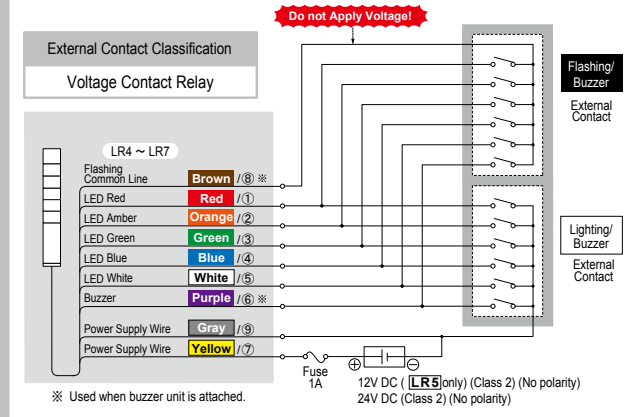
Wire Type & Wire Gauge
 Wire Type.....UL2464
 Wire Gauge...[01] 12V DC [02] 24V DC
 Signal Wire : AWG24
 Power Supply Wire : AWG24

Wiring Example Index	LED Red	RED / ①	PIN No. WT Direct Mount with Terminal Block, KT Mounting Bracket with knock-outs Terminal Block <small><Note> The lead wire color does not indicate the LED luminescence color. Refer to pg. 16 "Terminal Block Array"</small>
	Function Name	Lead Wire Color (Cable type)	

Product Specifications **01** 12V DC **02** 24V DC

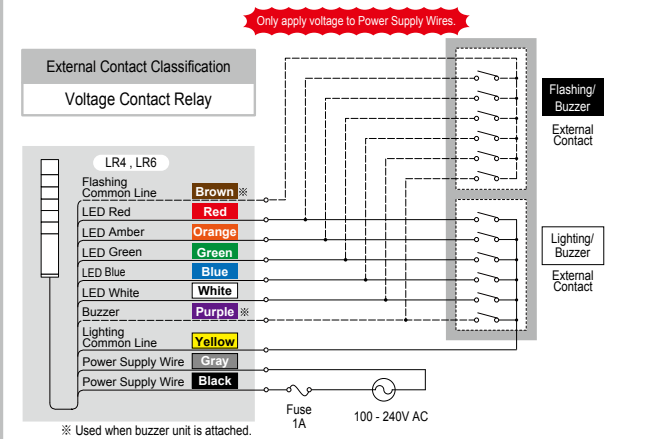


Product Specifications **01** 12V DC **02** 24V DC

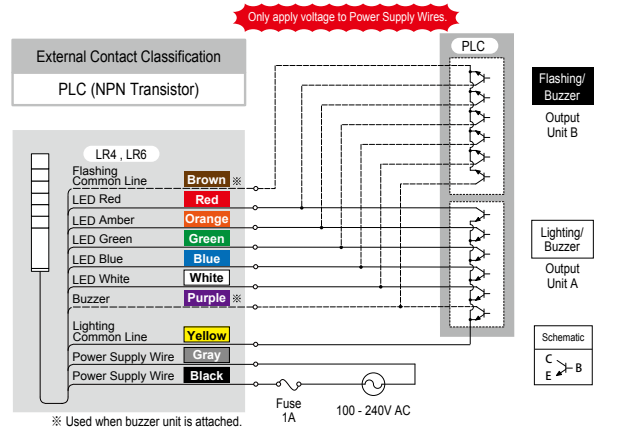


《 LR Series 2-Buzzer Operation Method 》
 Connecting the Buzzer wire (Purple) with the Flashing Common wire (Brown) will control the selection of two different buzzer sounds.

Product Specifications **M2** 100 - 240V AC



Wire Type & Wire Gauge
 Wire Type.....UL2464
 Wire Gauge...[M2] 100-240V AC
 Signal Wire : AWG24
 Power Supply Wire : AWG18



Multi-color Wiring Diagrams

Multi-color LED Unit wire colors are **Red** / ①; **Green** / ③; **Blue** / ④. Wire colors **Orange** / ② and **White** / ⑤ are not used.

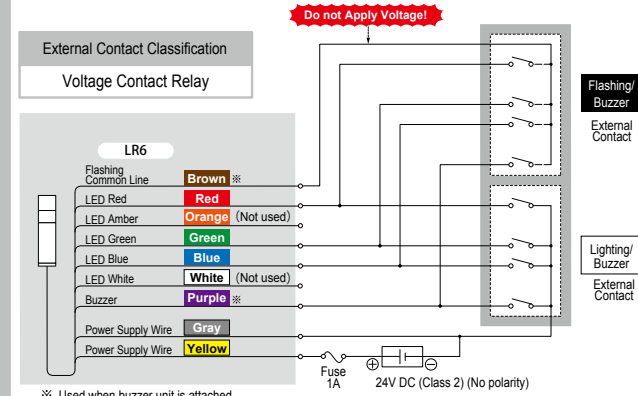
Refer to the Complete User's Manual for details.

LR6-E-MZ Lighting

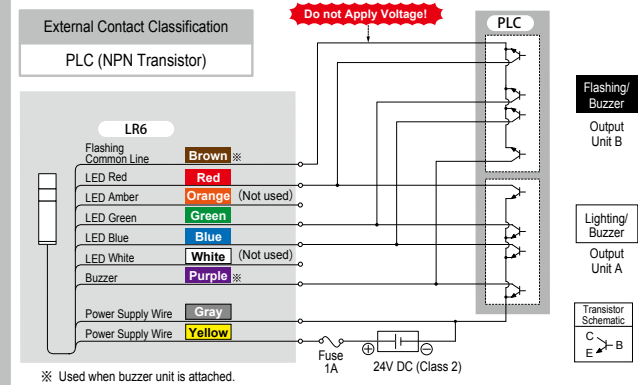
LED Color	Wire Color
Red	Red
Green	Green
Blue	Blue
Amber	Red + Green
Purple	Red + Blue
Cyan	Green + Blue
White	Red + Green + Blue

Lighting / Flashing / Buzzer (LR6-E-MZ)

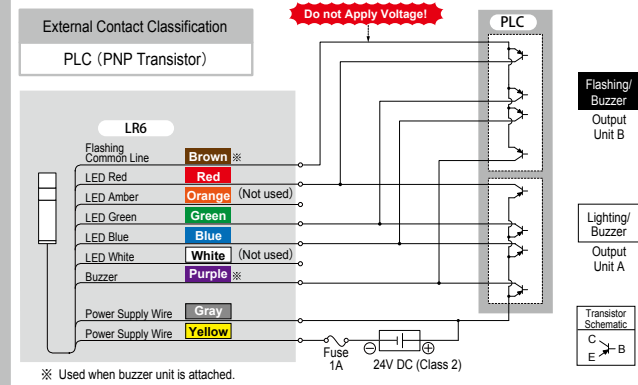
Product Specifications **02** 24V DC



※ Used when buzzer unit is attached.



※ Used when buzzer unit is attached.



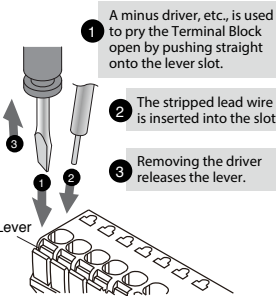
※ Used when buzzer unit is attached.

Point

- When flashing the LR6-E-MZ simultaneously with the LR6-E-R(Z)/Y(Z)/G(Z)/B(Z)/C, the flashing cycle of the LR6-E-MZ may shift from the other LED units.

[WT],[KT] Terminal Type

Wiring Method



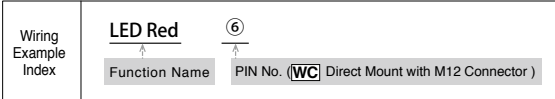
Terminal Block Array

9	Black	Power (Signal)
8	Grey	Flashing Common
7	Yellow	Power (Common)
6	Grey	Buzzer
5	White	LED White
4	Blue	LED Blue
3	Green	LED Green
2	Orange	LED Yellow
1	Red	LED Red

Wire Type	Wire (Solid)	Wire (Frayed)
UL1007 / UL1430	0.14 - 1.5mm	AWG30 - 14

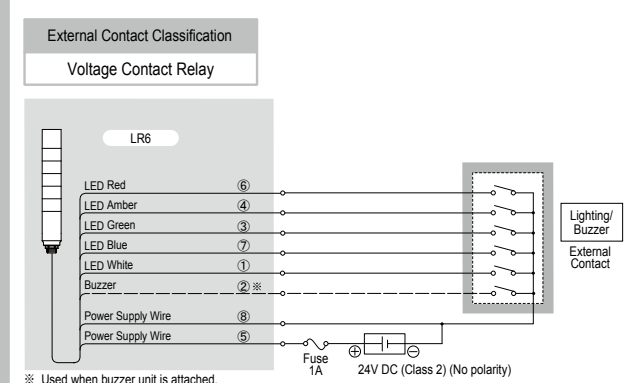
• Temperature rating should be above 75°C, and the conductor material should be of copper wire.

M12 (LR6-WC)Wiring Diagrams

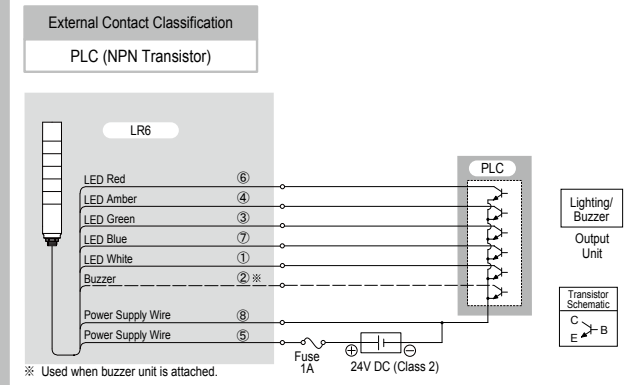


Lighting / Buzzer (LR6-WC)

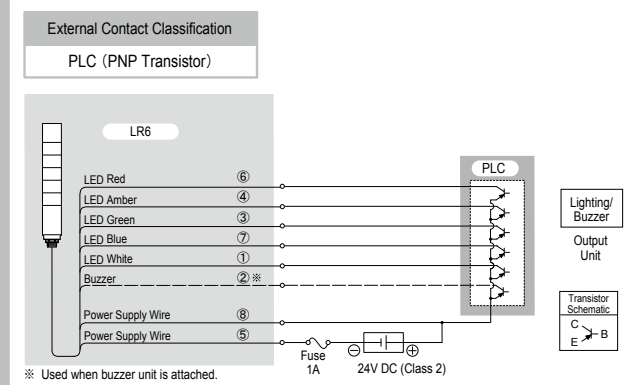
Product Specifications **02 WC** 24V DC



※ Used when buzzer unit is attached.



※ Used when buzzer unit is attached.

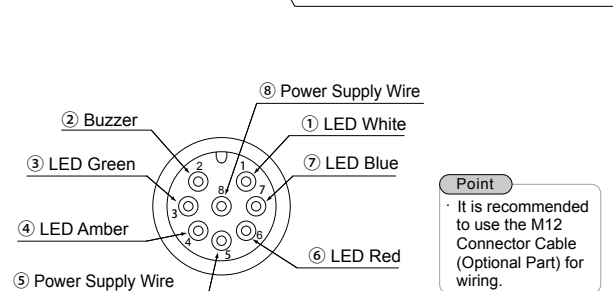


※ Used when buzzer unit is attached.

Point

- The flashing function cannot be used.

M12 Connector Pin Layout



Point

It is recommended to use the M12 Connector Cable (Optional Part) for wiring.

Wiring Diagrams

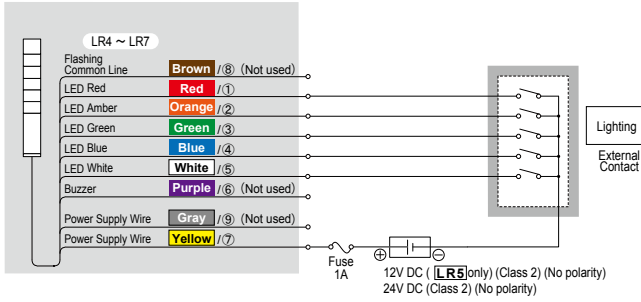
■ Wire Type & Wire Gauge
 Wire Type.....UL2464
 Wire Gauge...[01] 12V DC [02] 24V DC
 Signal Wire : AWG24
 Power Supply Wire : AWG24

Wiring Example Index	LED Red	RED / ①	PIN No. WT Direct Mount with Terminal Block, KT Mounting Bracket with knock-outs Terminal Block <small>*Note- The lead wire color does not indicate the LED luminescence color. Refer to pg. 16 "Terminal Block Array"</small>
	Function Name	Lead Wire Color (Cable type)	

Product Specifications **01** 12V DC **02** 24V DC

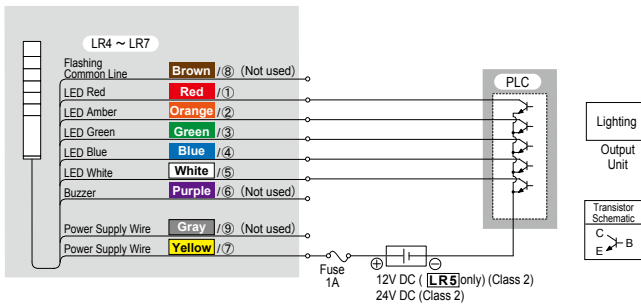
External Contact Classification

Voltage Contact Relay



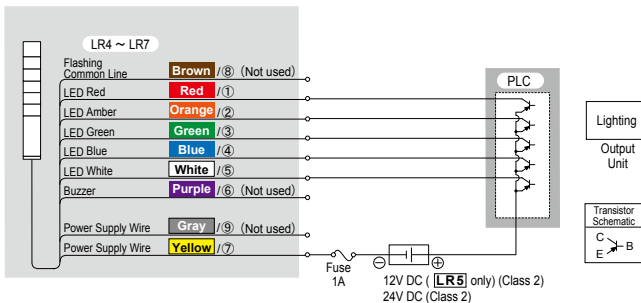
External Contact Classification

PLC (NPN Transistor)



External Contact Classification

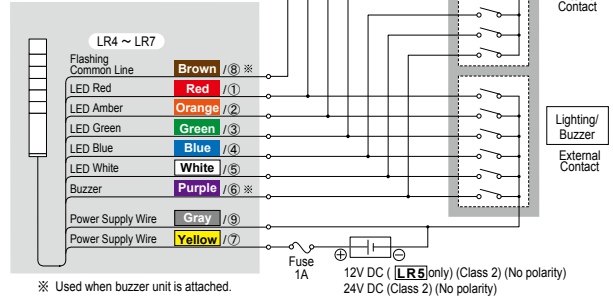
PLC (PNP Transistor)



Product Specifications **01** 12V DC **02** 24V DC

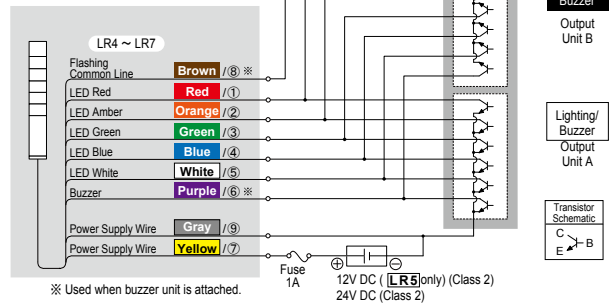
External Contact Classification

Voltage Contact Relay



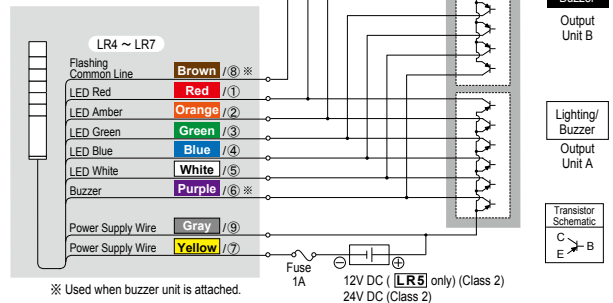
External Contact Classification

PLC (NPN Transistor)



External Contact Classification

PLC (PNP Transistor)

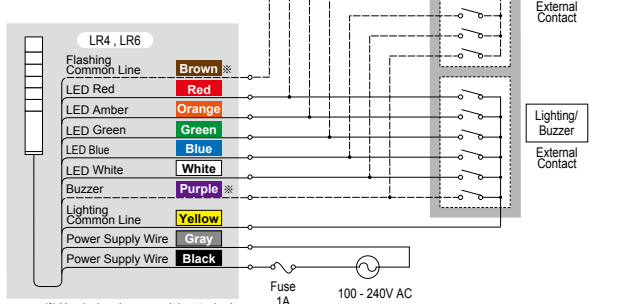


《 LR Series 2-Buzzer Operation Method 》
 Connecting the Buzzer wire (Purple) with the Flashing Common wire (Brown) will control the selection of two different buzzer sounds.

Product Specifications **M2** 100 - 240 V AC

External Contact Classification

Voltage Contact Relay

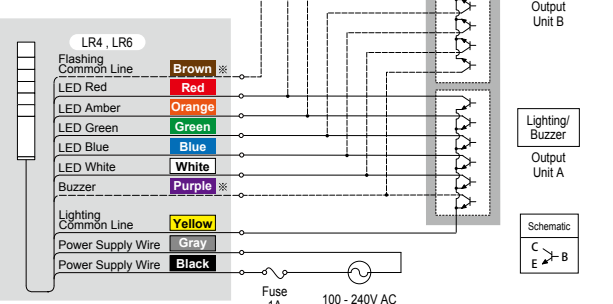


Product Specifications **M2** 100 - 240 V AC

■ Wire Type & Wire Gauge
 Wire Type.....UL2464
 Wire Gauge...[M2] 100-240V AC
 Signal Wire : AWG24
 Power Supply Wire : AWG18

External Contact Classification

PLC (NPN Transistor)



LR

Network

Signal Tower

Signal Light

Revolving Warning Light

Cube Tower

Audibles

Hybrid Signaling Devices

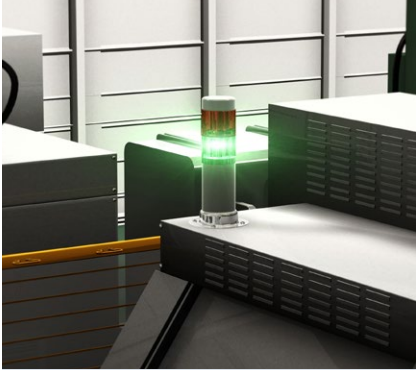
LED Illumination

Options

Signal Tower

LR Series Optional Parts

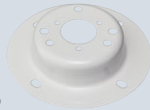
Direct Mount Brackets



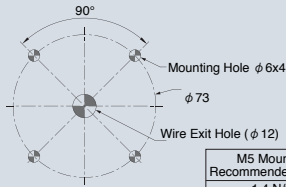
Circular Bracket

Model: SZW-001W

Material: SPCE



■ Mounting Dimensions (Unit: mm)



Wall-mount Bracket

Model: SZK-002W/U/K

Material: PC



SZK-003W/U/K

Material: PC



SZK-004W

Material: PC



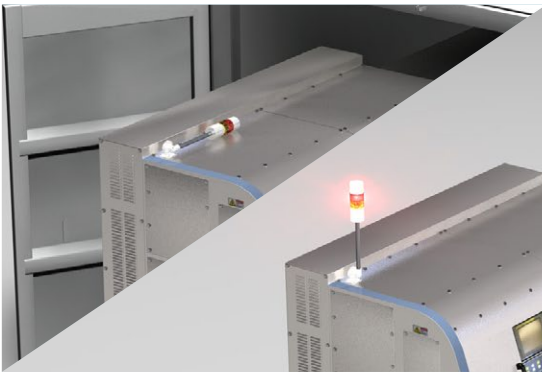
■ Mounting Dimensions (Unit: mm)



The wiring can exit through the bracket.

※An M16xP1.5 cable gland attachment needs to be purchased in addition

N Type Aluminum Pole Brackets



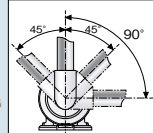
Folding Bracket

Model: SZQ-001W

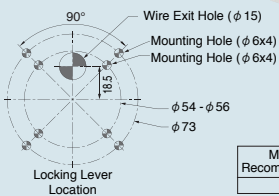
Accessories: Pole Waterproof Ring Binding Head Tapping Screw (2 pcs.)
Material: PC



■ Folding Range



■ Mounting Dimensions (Unit: mm)

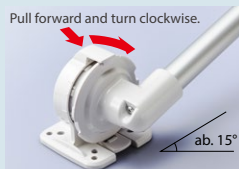


See the Movie!

1 Depressing a locking lever on the left side of the folding bracket releases it to be lowered.



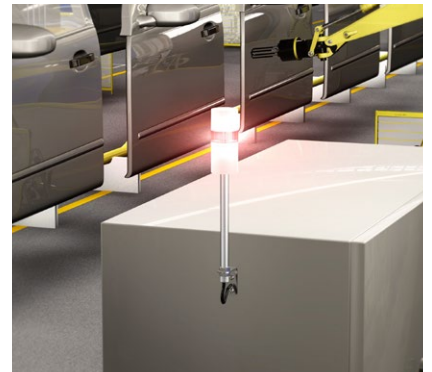
2 Press the folding bracket forward and push about 15° in the clockwise direction.



3 The folding bracket is pushed down to the right (clockwise) until it locks in place with a "Click" sound.



T Type Aluminum Pole Brackets



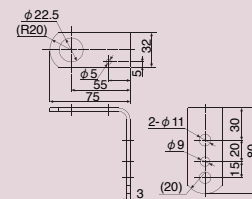
L-bracket

Model: SZL-001

Material: SPHC-P



■ Mounting Dimensions (Unit: mm)

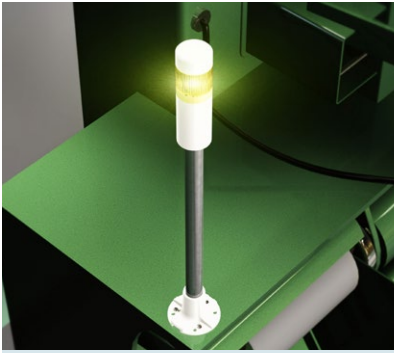


Screw Nut
※1 : M8×2pcs.
※2 : M10×2pcs.
Recommended screw Torque
12.2 Nm

Network
Signal Tower
Signal Light
Revolving Warning Light
Cube Tower
Audibles
Hybrid Signaling Devices
LED Illumination
Options



N Type Aluminum Pole Brackets



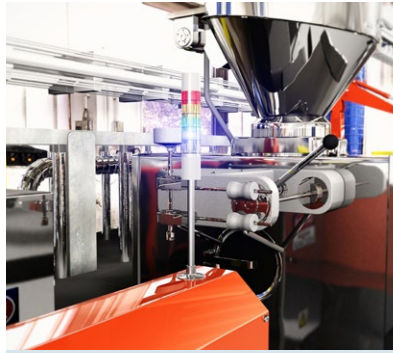
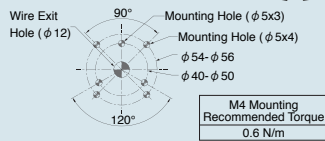
Circular Multiple-mount Bracket

Model: SZP-001W/U/K

Accessories: Waterproof Packing Pole Waterproof Ring Binding Head Tapping Screw (2 pcs.)

Material: PC

■ Mounting Dimensions (Unit: mm)



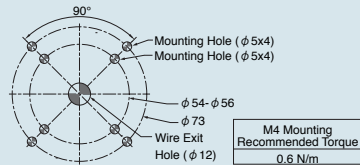
Circular Bracket

Model: SZP-002U

Accessories: Pole Waterproof Ring Binding Head Tapping Screw (2 pcs.)

Material: ADC12

■ Mounting Dimensions (Unit: mm)



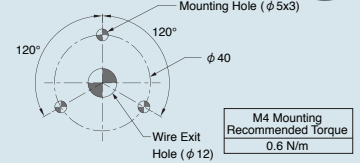
Circular Bracket

Model: SZP-003W/U/K

Accessories: Waterproof Packing Pole Waterproof Ring Binding Head Tapping Screw (2 pcs.)

Material: PC

■ Mounting Dimensions (Unit: mm)



N & T Aluminum Pole Brackets



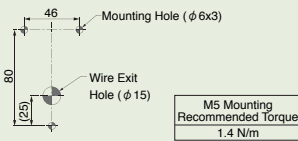
Wall-mount Bracket

Model: SZK-001U

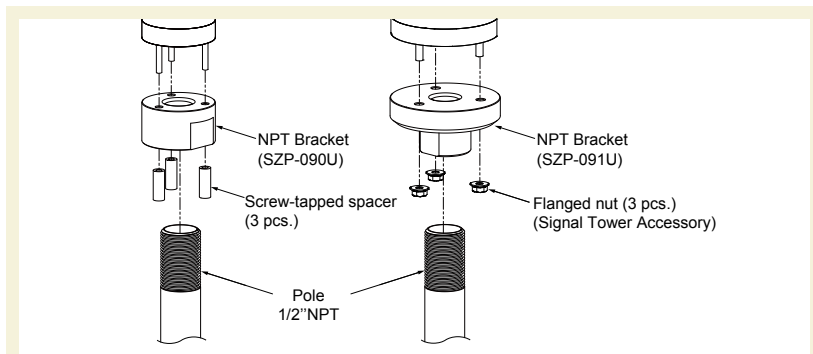
Accessories: Hexagon Socket Set Screw (2 pcs.)

Material: ADC12

■ Mounting Dimensions (Unit: mm)



1/2" Type Pole Brackets



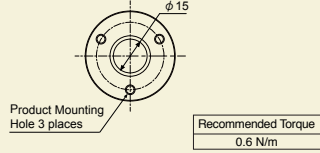
NPT Bracket

Model: SZP-090U

Accessories: Screw-tapped spacer (3 pcs.)

Material: AL

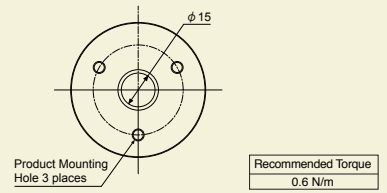
■ Mounting Dimensions (Unit: mm)



Model: SZP-091U

Material: AL

■ Mounting Dimensions (Unit: mm)



Replacement Parts

■ O-ring (5 per pack)/Headcover

O-ring 40 Model: B25110065-F1	Headcover 40 Model: [W] B32310070-7F1 [U] B32310070-9F1	O-ring 50 Model: B25110066-F1	Headcover 50 Model: [W] B32310071-7F1 [K] B32310071-8F1 [U] B32310071-9F1	O-ring 60 Model: B25110067-F1	Headcover 60 Model: [W] B32310072-7F1 [U] B32310072-9F1	O-ring 70 Model: B25110068-F1	Headcover 70 Model: [W] B32310073-7F1 [K] B32310073-8F1 [U] B32310073-9F1

■ Base Unit

- Adaptor for Aluminum Pole O-ring, Binding Head Tapping Screw for pole fixing and Pole Waterproof Ring are included.

LR4 Model: [W] B22210159-7F1 [U] B22210159-9F1	LR5 Model: [W] B22210160-7F1 [K] B22210160-8F1 [U] B22210160-9F1	LR6 Model: [W] B22210161-7F1 [U] B22210161-9F1	LR7 Model: [W] B22210178-7F1 [K] B22210178-8F1 [U] B22210178-9F1

■ Terminal Block (LR5 & LR7 only)



Model: Z69544511-F1

■ Filter Sheet (5 per pack)

LR4 LED Unit Sheet Model: B25310067-4F1	LR5 LED Unit Sheet Model: B25310067-5F1	LR6 LED Unit Sheet Model: B25310067-6F1	LR7 LED Unit Sheet Model: B25310067-7F1

Signal Tower

Corresponding Model · Pole List

Each Bracket Compatible Model

Model	Model Name	LR4	LR5	LR6	LR7
	SZP-001W[U][K]	PJ, QJ	PJ, KT *1	PJ, QJ	KT *1
	SZP-002U	PJ, QJ	PJ, KT *1	PJ, QJ	KT *1
	SZP-003W[U][K]	PJ, QJ	PJ, KT *1	PJ, QJ	KT *1
	SZP-090U	WJ	WJ, WT, KT *2	-	-
	SZP-091U	-	-	WJ	WJ, WT, KT *2
	SZL-001	LJ	LJ, KT *1	LJ	LJ, KT *1
	SZQ-001W	PJ, QJ	PJ, KT *1	PJ, QJ	KT *1
	SZK-001U	PJ, QJ	PJ, KT *1	PJ, QJ	KT *1
	SZK-002W[U][K]	WJ	WJ, WT, KT *2	-	-
	SZK-003W[U][K]	-	-	WJ	WJ, WT, KT *2
	SZK-004W	-	-	WJ	WJ, WT, KT *2
	SZW-001W	WJ	WJ, WT, KT *2	WJ	-



*1 Required pole and pole waterproof ring are not included with KT. *2 KT Direct Mount (Using accessory)

Aluminum Poles

☐ Aluminum Poles (Binding Head Tapping Screw (2pcs.) included.)

*If the pole is to be cut by the customer, it cannot be cut with a pole cutter. Please use a band saw, jigsaw, or sawing machine, etc.

*To convert from direct mount to pole mount, be sure to purchase the appropriate bracket and pole combination to make the change.

Model Type	Model Name	SZP-001W	SZP-002U	SZP-003W	SZQ-001W	SZK-001U	SZL-001
 AN Type ANK Type	POLE22-0100AN[K] 100mm	○	○	○	○	○	×
	POLE22-0300AN[K] 300mm	○	○	○	○	○	×
	POLE22-0500AN 500mm	×	○	×	×	○	×
	POLE22-0800AN[K] 800mm	×	○	×	×	○	×
	POLE22-1000AN 1000mm	×	○	×	×	○	×
 T Type	POLE22-0100AT 100mm	×	×	×	×	○	○
	POLE22-0300AT 300mm	×	×	×	×	○	○
	POLE22-0500AT 500mm	×	×	×	×	○	○
	POLE22-0800AT 800mm	×	×	×	×	○	○
	POLE22-1000AT 1000mm	×	×	×	×	○	○

Compatible Direct Mount Bracket



SZW-940U



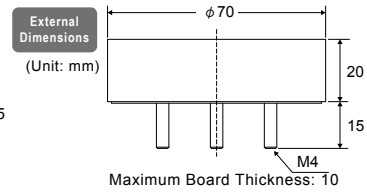
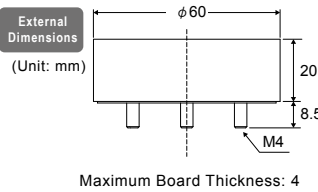
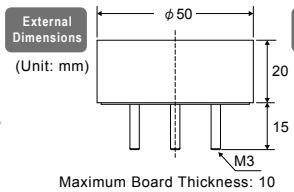
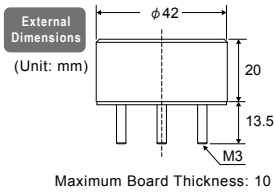
SZW-950U



SZW-960U



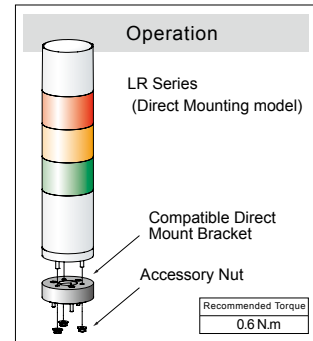
SZW-970U



Use these conversion brackets to mount the LR Series Direct Mounting model with mounting holes that already exist for the Signal Tower. If you cannot draw new mounting holes where you were using a previous model, use a compatible direct mount bracket to mount the LR Series.

Accessory	
SZW-940U	Nut with Flange (M3) x 3
SZW-950U	
SZW-960U	Nut with Flange (M4) x 3
SZW-970U	

Model Name	Size of Corresponding Signal Tower	Corresponding Models	
		Previous	New
SZW-940U	$\phi 40$	LCE-W LCE-AW	LR4-WJ
SZW-950U	$\phi 50$	LE-W LES-AW LU5	LR5-WJ LR5-WT
SZW-960U	$\phi 60$	LME-W	LR6-WJ
SZW-970U	$\phi 70$	LHE LU7	LR7-WJ LR7-WT



Pole mounting is not compatible.

Previous product

New product

■ Pole Sectional View (Unit: mm)

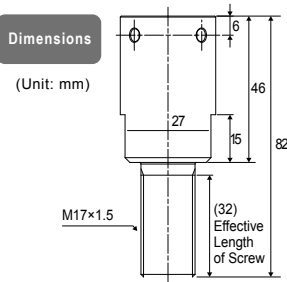
	Type	Material	Pole Diameter
Previous product	LCE-A, LCS	Steel	$\phi 17.3$
	LE, LES	Steel	$\phi 17.3$
	LU5	-	-
	LME, LMS	L: Steel, P: Aluminum	$\phi 21.7$
	LHE	-	-
New product	LR	Aluminum	$\phi 21.7$

Pole-compatible Adaptor

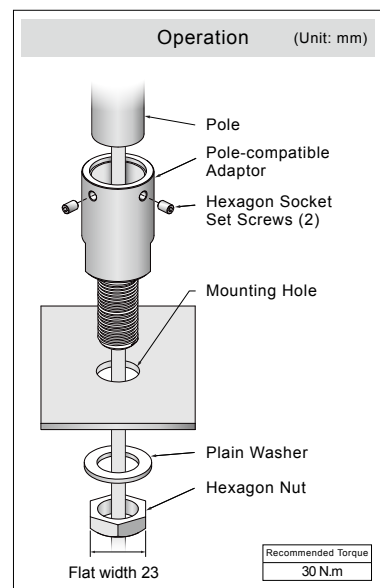
This conversion adaptor enables mounting LR Series Pole model (21.7mm) where a previous pole model (17.3mm) Signal Tower was mounted. By using this adaptor, you can mount a new unit where you were using a previous pole (17.3mm).



SZP-917U



Accessory	
Hexagon Socket Set Screws x 2	
Hexagon Nut (M17) x 1	
Plain Washer ($\phi 17.5 \times \phi 28 \times t2.0$) x 1	



Model Name	Corresponding Models	
	Previous	New
SZP-917U	LCE/LCE-A LCS/LCS-A LE/LES-A	LR□-□□□LJ□□ POLE22-□□□□AT

- Network
- Signal Tower
- Signal Light
- Revolving Warning Light
- Cube Tower
- Audibles
- Hybrid Signaling Devices
- LED Illumination
- Options